

SKF



SKF TMMMP

Standard Jaw Pullers

Instructions for use

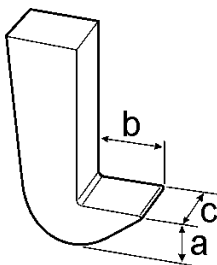


Safety recommendations

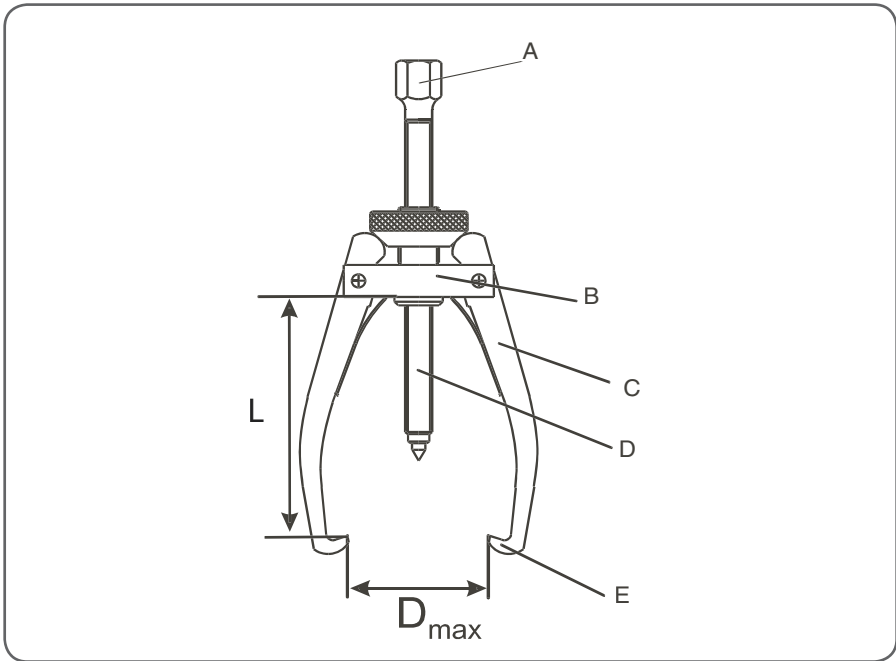
- The equipment should only be operated by trained personnel.
- Always follow the operating instructions.
- Check the puller and all accessories carefully before use. Never use even slightly damaged components.
- Make sure the force rating of the puller (F) exceeds calculated maximum withdrawal force.
- Do not exceed the maximum torque (T) when applying force on a mechanical spindle.
- Always prevent the workpiece/tool from being projected upon sudden release of pressure (e.g. by use of retaining nut).
- Ensure that the puller legs are properly secured around the workpiece. Each claw must be fully engaged.
- Make sure the force is equally distributed in all arms.
- Never use the equipment above the stated maximum force.
- Use protective goggles.
- Cover the work with a protective blanket or shield while force being applied.
- Never modify the unit.
- Use original parts only.
- In case of any uncertainties with regards to the use of the puller, contact SKF.

1. Definition of claw dimensions

- a claw height
- b claw length
- c claw width



2. Definition of parts and dimensions



- A Spindle hexagon head
- B Beam
- C Arm
- D Spindle
- E Claw
- L Effective arm length.

3. Application

Developed to cover the most common withdrawal applications, the TMMP series is a range of five extractors with a maximum nominal span width from 65 mm (2,6 in) for the smallest (TMMP 2X65), to 300 mm (11,8 in) for the largest (TMMP 3X300). They are suitable for extracting small to medium sized bearings and other components.

4. Description

The TMMP extractors are made of hardened high quality steel and are oil blackened. They are easy-to-use, as the span width is quickly adjusted by screwing or unscrewing the cone. Strong springs ensure that the arms are held apart and remain in the adjusted position. The two smallest pullers (TMMP 2X65 and TMMP 2X170) are two-armed, while the heavier pullers have three arms. The advantages of a three-armed puller include easier centering and better distribution of the larger withdrawal forces.

5. Technical data

Designation	No. of arms	Width of grip	Effective arm length (L)	Maximum withdrawal force (F)	Maximum torque (T)	Weight
		mm/in	mm/in	kN/lbf	Nm/lbf ft	kg/lb
TMMP 2X65	2	15-65/0,6-2,6	60/2,4	6/1,340	10/7	0,4/0,9
TMMP 2X170	2	25-170/1,0-6,7	135/5,3	18/4,030	40/30	1,9/4,2
TMMP 3X185	3	40-185/1,6-7,3	135/5,3	24/5,380	55/40	2,5/5,5
TMMP 3X230	3	40-230/1,6-9,1	210/8,3	34/7,610	90/65	5,5/12,1
TMMP 3X300	3	45-300/1,8-11,8	240/9,4	50/11,200	160/115	9,0/19,8

Designation	Claw height (a)	Claw length (b)	Claw width (c)	Spindle hexagonal head (AF)
	mm/in	mm/in	mm/in	mm
TMMP 2X65	8/0,31	7/0,28	10/0,39	--
TMMP 2X170	9/0,35	12/0,47	21/0,83	19
TMMP 3X185	9/0,35	12/0,47	21/0,83	19
TMMP 3X230	9/0,35	13/0,51	24/0,94	21
TMMP 3X300	11/0,43	14/0,55	27/1,06	24

6. Spare parts

TMMP...-6 Spindle with centre nib (not available for TMMP 2X65)

In line with our policy of continuous development of our products we reserve the right to alter any part of the above specification without prior notice. Although care has been taken to ensure the accuracy of this publication, SKF does not assume any liability for errors or omissions.

© SKF is a registered trademark of the SKF Group.

SKF Maintenance Products

© SKF Group 2008/02

www.mapro.skf.com
www.skf.com/mount

MP550E